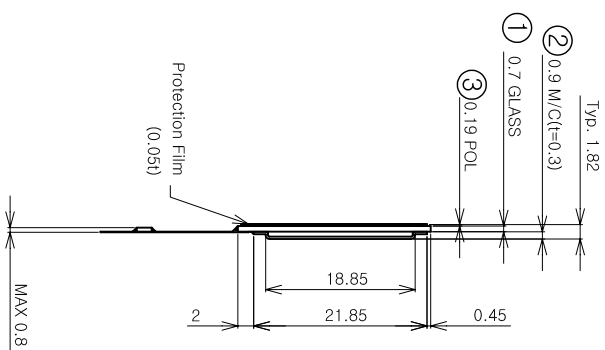
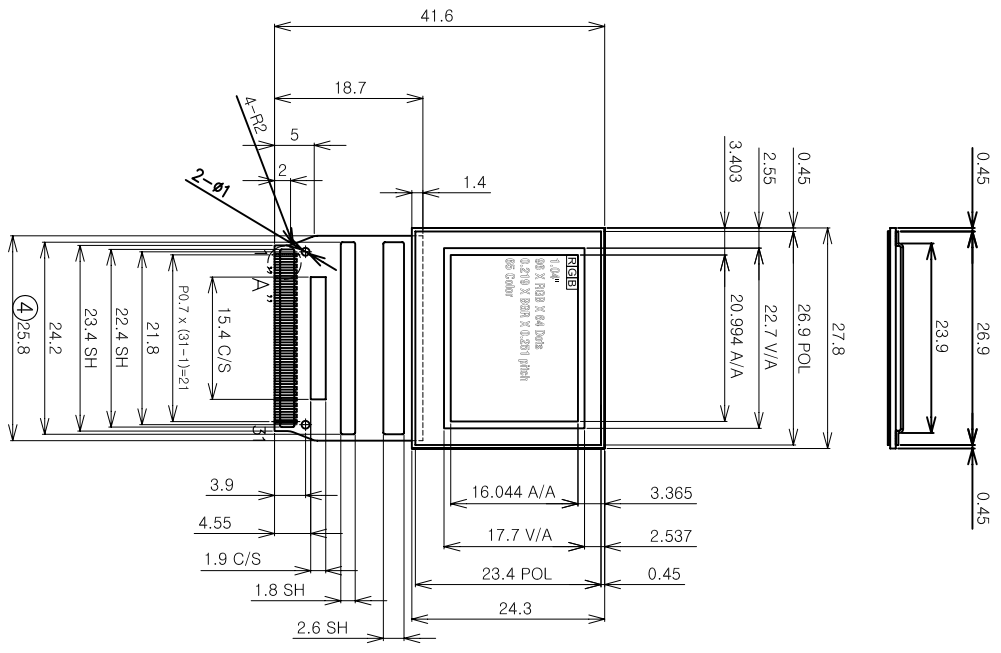


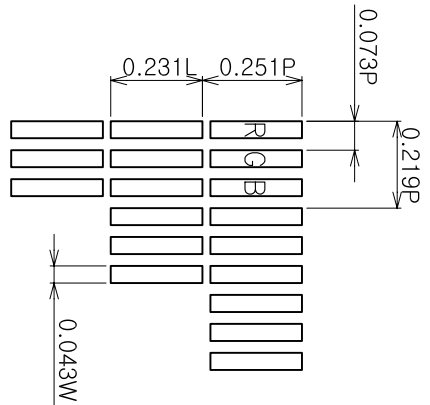
PIN DESCRIPTION	
NO	SYMBOL
1	NC
2	VCC
3	VCOMH
4	NC
5~12	D7~D0
13	E(RD#)
14	R/W#(WR)
15	D/C#
16	RES#
17	CS#
18	IREF
19	BS2
20	BS1
21	VDD
22	VP_C
23	VP_B
24	VP_A
25	VBREF
26	RESE
27	FB
28	VDDB
29	GDR
30	VSS
31	NC

General Tolerance	
Length(mm)	Tolerance(mm)
0 ~ 8	±0.1
9 ~ 25	±0.2
26 ~ 50	±0.3

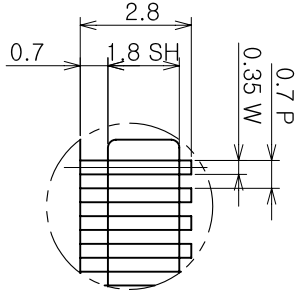
UNLESS OTHERWISE SPECIFIED	SYM	DATE	REVISIONS	CHECK	APPROVAL



SUB COF PAD DETAIL
(S=5:1)



SUB OLED DOTS DETAIL
(S=50:1)



NO.	DWG. NO.	DESCRIPTION	SPEC.	MATERIAL	Q'TY	REMARK
①	-	Glass	27.8X24.3X0.7		1	
②	-	M/Cap	26.9X21.85X0.24		1	
③	-	POL	26.9X23.4X0.24		1	
④	-	PACKAGE	25.8X18.7X0.8		1	SSD1332T7

SCALE	1/1	UNIT	mm	REV.	V00	TITLE	P1S64 UNIT
DESIGN	J.U	CHECK	H.Y	APPROVAL	G.G	MODEL NAME	-
SIGNATURE	PARK		Lee		Lee	PART NO.	-
DATE	05.10.05		05.10.05		05.10.05	DWG. NO.	M050016-UN
						MATERIAL	